



AUTOMATION FOR SLIDING GATES

WITH A 24 Vdc MOTOR



Mains power supply / Motor power supply
230 Vac / 24 Vdc

Max. gate weight
400 kg

Duty cycle
100%

Protection grade
IP44

400 kg

SL
CARDIN



SAFETY

SOFT

REMOTE

BATTERY

GUARANTEE

SL4024

SL4024

The fruit of a new product design method, this product contains all the electronic and mechanical components for controlling the position of the gate and guaranteeing the safety of the installation within a two-piece shell.

The appliance is fitted with an extractable and robust knob-operated manual release system.

The incorporated electronics are housed in a plastic container and the card has the power stage, the logic control and the decoding module. The power supply is routed to the electronics card via a separate transformer which is housed in the same container and connected to the card by Faston clips. The programmer can be fitted with buffer batteries which allow the possibility to operate the unit during blackouts.

USE

Self-locking electromechanical automation system with a low voltage motor for sliding gates with a maximum weight of 400 kg. The easily installed motors can be fitted either to the left or to the right of the passageway and can be applied to both new and already existing installations.

The programmer features intelligent time control functions, which allow you to control the position of the gate with extreme precision. Monitoring the current consumption allows the control of a sophisticated anticrush safety system and with the "soft start" and "soft stop" functions reduce the stress on the mechanical components.

The work cycle times are stored under non volatile EEPROM. System programming, guided by a seven segment display, is carried out using only two control buttons and allows you to set all the functions rapidly. The use of low voltage motors increase the performance, guarantee high efficiency, long life, a 100% duty cycle and silent running.

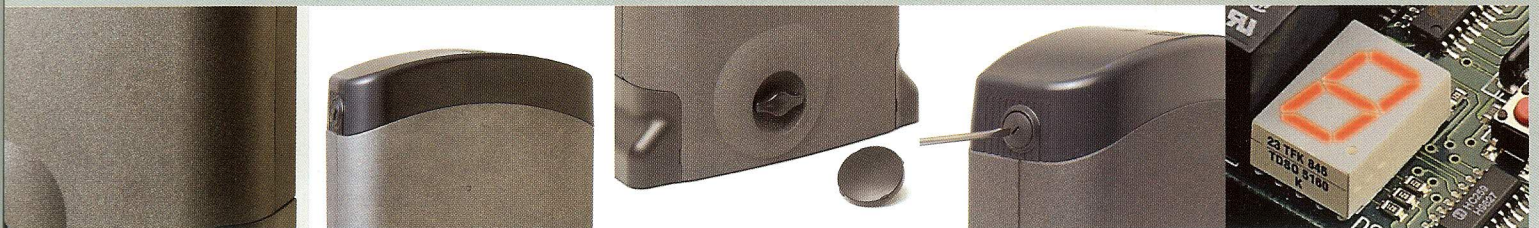
aluminium casing

shockproof cover

manual release

control unit access

programming



TECHNICAL DESCRIPTION

- 101/SL402409 Low voltage motor complete with an electronic programmer containing an S449 quartz receiver in "FM" ..
- 101/SL40249F Low voltage motor complete with an electronic programmer containing an S449 quartz receiver in "FM" a battery charger and buffer batteries.
- Mains power supply 230 Vac.
- Motor powered with a maximum voltage of 38 Vdc.
- A two-piece shell made of die cast aluminium enclosing the reduction unit and a pair of steel gears, lubricated with permanently fluid grease.
- The reduction unit stator is made of die cast aluminium and contains a never ending screw and a helicoidal crown wheel made of thermoplastic lubricated with permanently fluid grease.
- The incorporated electronic programmer contains the power stage, the logic control and the radio receiver decoding module. The power supply is routed to the electronics card via a separate transformer which is housed in the same container and is connected to the card by Faston clips.
- Cover in shockproof plastic.

ACCESSORIES

- 106/SLOPC Toothed rack in glass fibre 20 mm x 30 mm with upper fastening slits (1 m)
- 106/SLOPC1 Toothed rack in glass fibre 20 mm x 30 mm with lower fastening slits (1 m)
- 106/SLOAC Toothed rack in galvanised steel 22 mm x 22 mm, (2 m pieces) to be welded.
- 106/SLOAC2 Toothed rack in galvanised steel 12 mm x 30 mm, (1 m pieces) with fastening slits .
- 950/XLBS Mechanical safety edge, from 1,5 to 3,0 m long x 70 mm high.

TECHNICAL SPECIFICATIONS

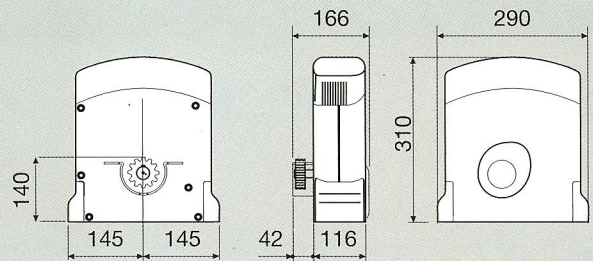
Power supply	Vac	230
Frequency	Hz	50
Current input	A	0,6
Power input	W	120
Duty cycle	%	100
Maximum torque	Nm	32
Operating temperature range	°C	-20°...+55
Protection grade	IP	44

Motor data:

Motor power supply	Vdc	24
Maximum power yield	W	38
Nominal current input	A	1,8

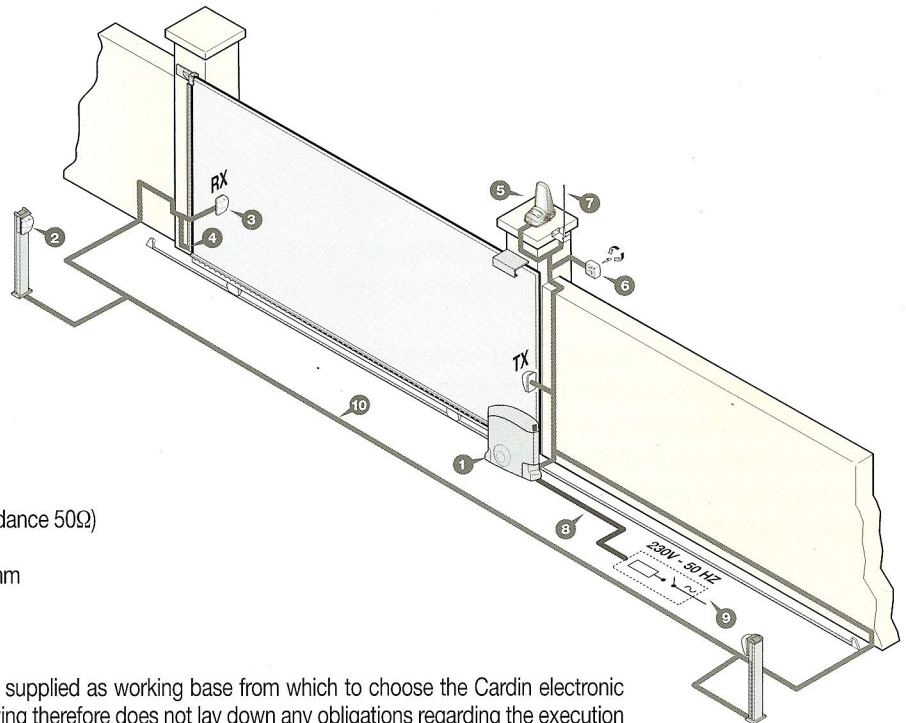
Incorporated receiver card:

Reception frequency	MHz	433.92
Number of channels	Nr.	4
Number of functions	Nr.	2
Number of memorisable codes	Nr.	300



INSTALLATION

INSTALLATION EXAMPLE



LEGEND

- 1 Geared motor
- 2 Internal photocells
- 3 External photocells
- 4 Contact safety edge
- 5 Warning lights
- 6 Mechanical selector switch
- 7 External antenna (RG58 coaxial cable - impedance 50Ω)
- 8 Mains cable 230 Vac
- 9 All pole circuit breaker with a minimum of 3 mm between the contacts
- 10 Channelling route for low voltage wires

Attention: The drawing is purely indicative and is supplied as working base from which to choose the Cardin electronic components making up the installation. This drawing therefore does not lay down any obligations regarding the execution of the installation.



CARDIN ELETRONICA spa
 Via Raffaello, 36 - 31020 San Vendemiano (TV) Italy
 Tel: (+39) 0438 404011
 Fax: (+39) 0438 401831
 e-mail (Italy): sales.office.it@cardin.it
 e-mail (Europe): sales.office@cardin.it
 http: www.cardin.it



inside